

Series 17 – FM SPST Isolated Contacts

Series 27 – UL SPDT Contacts

Series 37 – CSA Listed

- ▶ Cannot Ignite Flammable Materials
- ▶ Solid State Reliability
- ▶ Up to 470K Ohm/cm Sensitivity (Series 17)
- ▶ Internal Surge Suppression
- ▶ SPST Contacts (Series 17)
- ▶ SPDT Contacts (Series 27/37)
- ▶ Can Be Used for Single Level or Differential Service



Series 17

Series 17 is FM Approved for use in Class I or II, Division 1, Groups A-G hazardous atmospheres. SPST isolated contacts. Field adjustable sensitivity by use of external resistors.

Series 27 is UL approved for use in Class I, Groups A, B, C, D; Class II, Groups E, F, G; and Class III hazardous locations. SPDT output contacts.

Series 37 is CSA certified for use in Class I, Groups A, B, C, D; Class II, Groups E, F, G; Class III hazardous locations. SPDT output contacts.

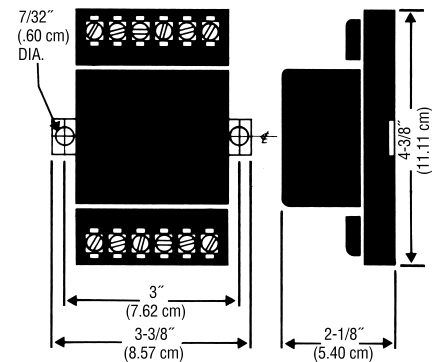
Specifications

Contact Design	
Series 17	1 N.O. & 1 N.C. Isolated Contacts
Series 27 and 37	1 N.O. & 1 N.C. (1 form C)
Contact Rating (24/120/240VAC)	
	8 amp Resistive
Mode of Operation	
	Direct/Inverse, factory set
Sensitivity	
Series 17	0-470K ohm, field adjustable
Series 27 and 37	0-100K ohm, factory set
Primary Voltage	
Series 17	24 VAC, 120 VAC, 240 VAC (+10%/-15%) 50/60 Hz
Series 27	120 VAC, 240 VAC (+10%/-15%) 50/60Hz
Series 37	120 VAC (+10%/-15%) 50/60 Hz
Secondary Voltage	
Series 17	13 VAC, 4 mA
Series 27 and 37	11 VAC, 2.3 mA
Temperature	
	-40°F to 150°F
Approvals	
Series 17	FM File # 1G9A1.AX
Series 27	U.L. 913 File # ES7112
Series 37	CSA Listed
Connections	
	All screw type connections

Applications

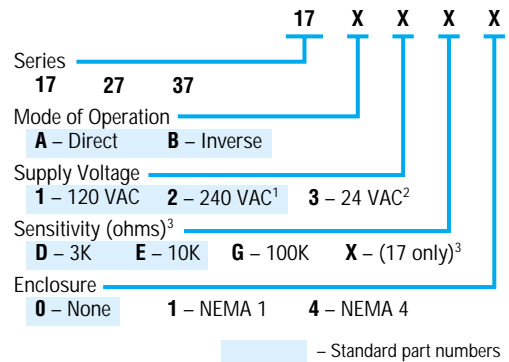
- Hazardous Atmospheres
- Pumps
- Waste Treatment
- Alarms
- Sewage
- CP Industry

Dimensions



How to Order

Use the **Bold** characters from the chart below to construct a product code.



Notes:

1. 240V standard in Series 17. Non-standard, but available in Series 27. Unavailable in Series 37.
2. 24V available only in Series 17.
3. Series 27/37 only. Series 17 includes a full set of resistors (3.3K, 4.7K, 10K, 47K, 100K, 220K, 470K ohms) to allow modification of sensitivity in the field. Product code symbol in this position for Series 17 is "X."